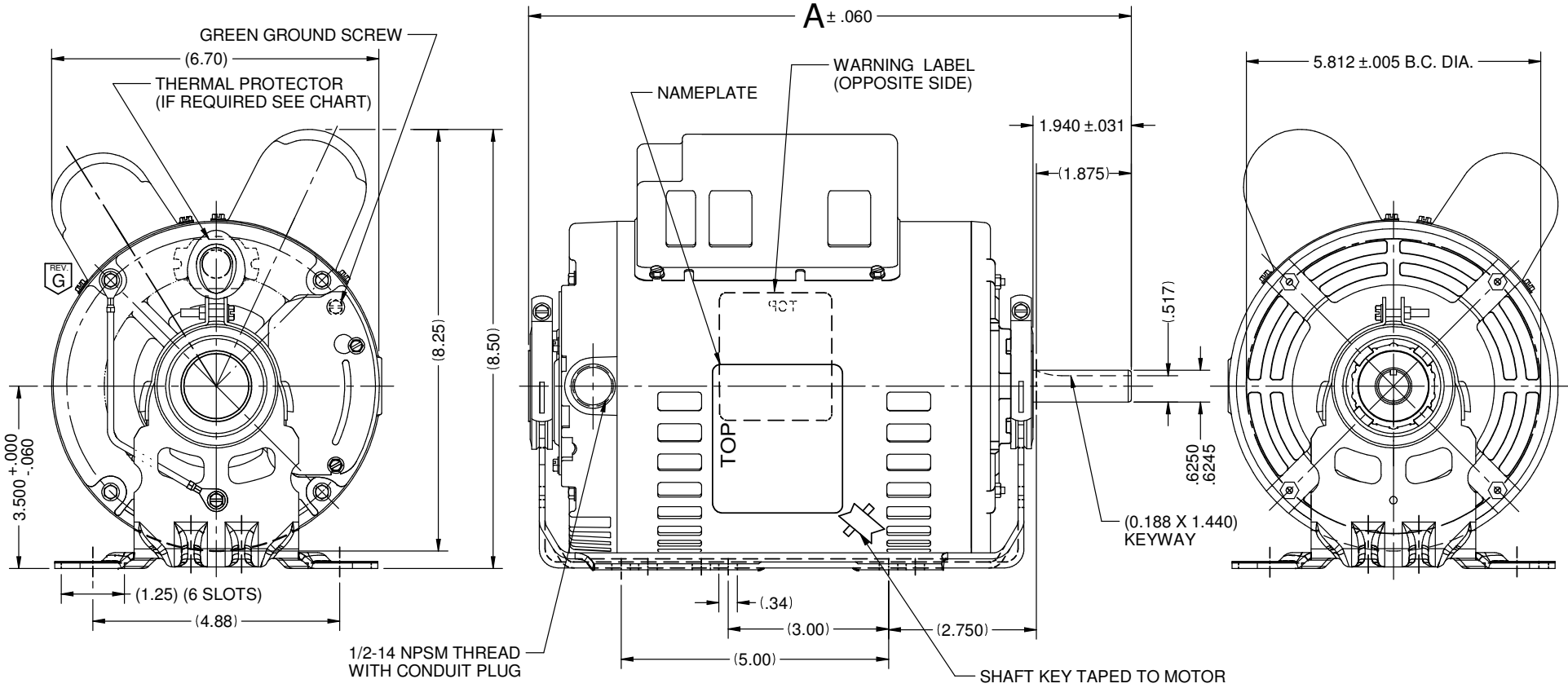




Catalog #: D34CPA2PH9

Model Number:	T063TJE2148012B
PRODUCT NAME:	.75 HP - ODP - 1725
PHASETYPE:	1_CAPACITOR START -
MOTOR ENCLOSURE:	ODP
HORSEPOWER:	.75
KILOWATTS:	0.6
POLES:	4
NUMBER SPEEDS:	1
RPM:	1725
HERTZ:	60
VOLTS PRIMARY:	115/230 V
VOLTS :	115
VOLTS 2:	230
FRME :	56
SHAFT CODE:	H
STATOR DIAMETER:	6.3
STACK:	2.5
MOUNTING:	RESILIENT
MOTOR TYPE:	FHP
OPPOSITE END BEARING:	6203
SHAFT END BEARING:	6203
AMBIENT:	40
ROTATION:	CW/CCW
SERVICE FACTOR:	1.25
RUNCAPMFD:	50
RUNCAPVOLTS:	370
STARTCAPMFD:	503
SHIPPING WEIGHT:	29
THERMAL PROTECTION:	AUTOMATIC RESET
BREAKDOWN TORQUE:	96.59
BREAKDOWN TORQUE UOM:	OZFT
LOCKED ROTOR TORQUE:	167.9
LOCKED ROTOR TORQUE UOM:	OZFT
INSULATION CLASS:	B
KVA CODE LETTER:	K
LOCKED ROTOR AMPS:	46.7
NEMA NOMINAL EFFICIENCY:	81.8
FULL LOAD AMPS PRIMARY:	7.0/3.5
SERVICE FACTOR AMPS PRIMARY:	8.2/4.1

VAR	MODEL	CUSTOMER	CAT. NO.	A	B	C	D	HP	VOLTS	SF	AMPS	HZ	RPM	CONN VOLTS	PROT.	DESCRIPTION / REMARKS
001	T063CNU-2158	USEM	D34CP2PH9	11.785	-----	-----	-----	3/4	115/230	1.25	7.0/3.5	60	1725	230	NONE	N56H, ODP
002	T63CXTJE-2148	USEM	D34CPA2PH9	11.785	-----	-----	-----	3/4	115/230	1.25	7.0/3.5	60	1725	-----	AUTO	N56H, ODP

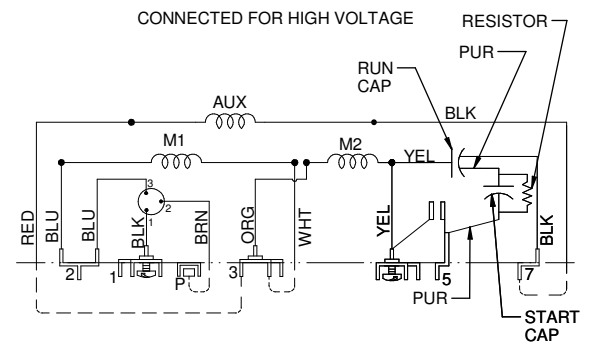
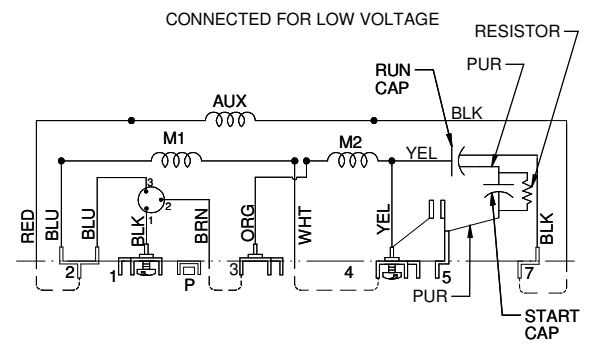
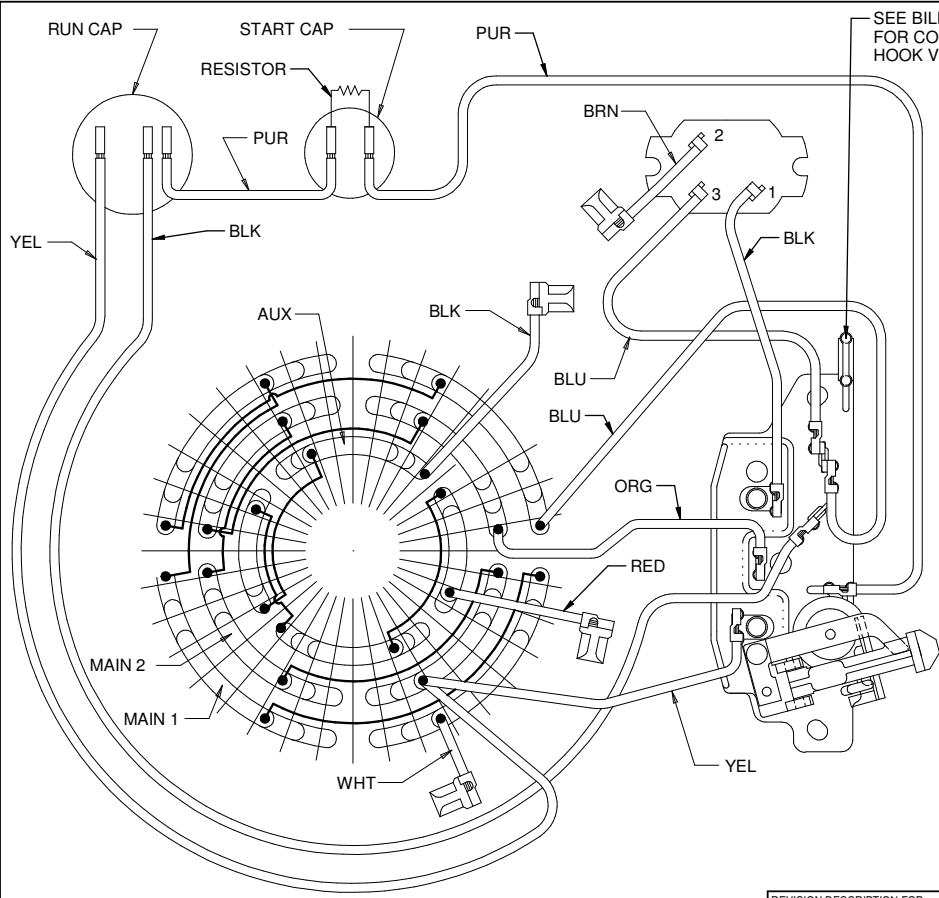


NIDEC MOTOR CORPORATION 11-Apr-18 MOTOR IS CCW ROTATION LEAD END, TO REVERSE ROTATION INTERCHANGE RED AND BLACK LEADS REFER TO S.E.I.M. 24-1

REVISION RECORD FOR: ECO E30650	
CHANGED VIEW OF GROUND LEAD TO BEHIND OF THE BASE.	
ISSUED BY: C. LUGO	ENGINEER APPROVED: F. FLORES

TOLERANCES ON DIMENSIONS (UNLESS OTHERWISE SPECIFIED)	
INCHES .XX = ± .010 .XXX = ± .005	mm
ANGLES X° = ±1°	

NIDEC MOTOR CORPORATION			
INFORMATION DISCLOSED ON THIS DOCUMENT IS CONSIDERED PROPRIETARY AND SHALL NOT BE REPRODUCED OR DISCLOSED WITHOUT WRITTEN CONSENT OF NIDEC MOTOR CORPORATION			
TITLE		CODE	ITEM NO.
CUSTOMER DETAIL DRAWING		V02	803503
REV	SHEET NUMBER	DWG SIZE	REVISION DATE
G	1 OF 4	B	13-APR-18



ROTATION: CCW SWITCH END REVERSIBLE
TO REVERSE ROTATION INTERCHANGE
BLACK AND RED LEADS
T 4P DUAL VOLT REVERSIBLE W/CAPS & PROT

REVISION DESCRIPTION FOR: C8396-10	SCALE: NONE	UNITS: IN	TITLE: DIAGRAM OF CONNECTIONS	NIDEC MOTOR CORPORATION
CHANGED MARKUP EMERSON TO NIDEC.	TOLERANCES ON DIMENSIONS (UNLESS OTHERWISE SPECIFIED)		ISSUED BY: J.G.SALINAS	APPROVED BY: J.L.SALAZAR
MATERIAL:	INCHES	MILL	REVISION DATE: 24-SEP-2013	REV: A
	$\pm .015$		CODE: D04	DWG NO.: 761811
	ANGLES: $X^\circ \pm 1^\circ$		REV: 1	SHEET NUMBER: 1
				DWG SIZE: B

General Purpose Single Phase Open Drip Proof (ODP) Resilient Base, Capacitor Start



APPLICATIONS:

For air compressors, pumps, conveyors, blowers and general industrial equipment.

FEATURES:

- Class A or B Insulation
- Reversible Rotation
- 40°C Ambient
- 60 Hertz
- Continuous Duty

Single Speed

HP	RPM	Voltage	Frame	Catalog Number	List	Discount Symbol	SF	"C" Dim. (inches)	Ship Wt. (lbs)	Full Load Amps	Notes
1/6	900	115	48	3700	\$555	DS-3FMP	1.35	8.9	23	4.5	25
1/4	1800	115/230	48	D14CPA2P49	\$341	DS-3FMP	1.35	9.9	18	3.1/1.5	24
	1800	115/230	56	D14CP2P9	\$285	DS-3FMP	1.35	10.3	14	3.1/1.5	25
	1800	115/230	56	D14CPA2P9	\$333	DS-3FMP	1.35	10.3	14	3.1/1.5	24
	1200	115/230	56	D14CPA3P9	\$472	DS-3FMP	1.35	11.8	19	3.70/1.86	24
	1200	115/230	56	D14CPM3P9	\$457	DS-3FMP	1.35	10.8	22	3.70/1.86	23
1/3	3600	115/208-230	56	D13CA1J9	\$281	DS-3FMP	1.35	10.4	19	6/2.9-3.0	24
	1800	115/230	48	D13CP2P49	\$346	DS-3FMP	1.35	9.9	17	3.8/1.9	25
	1800	115/230	48	D13CPA2P49	\$378	DS-3FMP	1.35	9.9	18	3.8/1.9	24
	1800	115/230	56	D13CPA2P9	\$370	DS-3FMP	1.35	10.3	18	3.8/1.9	24
	1800	115/230 & 110/220	48	D13CP2Z49	\$312	DS-3FMP	1.35	10.3	18	3.8/1.9	25
	1200	115/230	56H	D13CP3PH9	\$507	DS-3FMP	1.35	11.3	26	4.4/2.3	25
	1200	115/230	56H	D13CPA3P9	\$525	DS-3FMP	1.35	11.3	26	4.4/2.3	24
	1200	115/230	56H	D13CPM3P9	\$515	DS-3FMP	1.35	11.3	26	4.4/2.3	23
	900	115/230	56	D13C4P9	\$816	DS-3FMP	1.35	12.8	39	8.7/4.3	25
1/2	3600	115/230	48	D12CP1P49	\$227	DS-3FMP	1.25	9.9	19	5.0/2.5	25
	1800	115/230	48	D12CP2P49	\$283	DS-3FMP	1.25	9.9	22	5.0/2.6	25
	1800	115/230	48	D12CPA2P49	\$330	DS-3FMP	1.25	9.9	14	5.0/2.6	24
	1800	115/230	56H	D12CP2PH9	\$360	DS-3FMP	1.25	11.3	14	5.0/2.6	25
	1800	115/230	56H	D12CPA2PH9	\$378	DS-3FMP	1.25	11.3	15	5.0/2.6	24
	1200	115/230	56H	D12CP3PH9	\$590	DS-3FMP	1.25	12.3	36	4.8/2.4	25
	1200	115/230	56H	D12CPA3PH9	\$685	DS-3FMP	1.25	12.3	36	4.8/2.4	24
3/4	3600	115/230	56H	D34CPA1PH9	\$340	DS-3FMP	1.25	11.8	24	7.0/3.6	24
	1800	115/230	56H	D34CP2PH9	\$408	DS-3FMP	1.25	12.3	29	7.0/3.5	25
	1800	115/230	56H	D34CPA2PH9	\$434	DS-3FMP	1.25	12.3	29	7.0/3.5	24
	1800	115/230	56	1660	\$314	DS-3FMP	1.00	10.8	28	11.6/5.8	24
1	3600	115/230	56H	D1CP1PH9	\$475	DS-3FMP	1.25	13.3	29	9.3/4.3	25
	3600	115/230	56H	D1CPA1PH9	\$480	DS-3FMP	1.25	13.0	28	9.3/4.3	24
	1800	115/208-230	56H	D1CPA2JH9	\$644	DS-3FMP	1.15	12.3	31	8.8/4.4-4.4	24
	1800	115/230	56H	D1CP2PH9	\$486	DS-3FMP	1.15	12.0	32	8.8/4.4	25
	1800	115/230	56H	D1CPA2PH9	\$644	DS-3FMP	1.15	12.3	31	8.8/4.4	24
	1800	115/230	56	D1CPA2P9	\$644	DS-3FMP	1.15	12.3	31	8.8/4.4	24
	1200	115/230	56H	D1CPA3PH9	\$878	DS-3FMP	1.15	13.1	45	8.9/4.6	24
1 1/2	3600	115/230	56H	D32CPA1PH9	\$637	DS-3FMP	1.15	13.3	31	13.3/6.7	24
	1800	115/208-230	145T	D32C2J149	\$566	DS-3SP	1.15	13.7	32	19.2/10.0-9.6	25
	1800	115/230	56H	D32CP2PH9	\$622	DS-3F	1.15	13.0	24	13.4/6.7	25
	1800	115/230	56H	D32CPA2PH9	\$787	DS-3FMP	1.15	12.3	41	13.4/6.7	24
2	3600	115/230	56H	D2CPA1PH9	\$700	DS-3FMP	1.15	13.8	41	17.3/8.7	24
	1800	115/230	56H	D2CP2PH9	\$765	DS-3FMP	1.15	13.5	46	17.0/8.5	25
	1800	115/230	56H	D2CPA2PH9	\$995	DS-3FMP	1.15	13.5	46	17.0/8.5	24

Two Speed

HP	RPM	Voltage	Frame	Catalog Number	List	Discount Symbol	SF	"C" Dim. (inches)	Ship Wt. (lbs)	Full Load Amps	Notes
3/4 / 1/4	1800	115 V	56	6311	\$448	DS-3FMP	1.25	10.8	26	8.9/6.1	25
1 / 1/3	1800	208-230 V	56	6316	\$501	DS-3FMP	1.15	11.8	32	7.4-7.4/4.0-4.3	25

Note 23 Manual Reset Thermal Protector Overload
Note 24 Automatic Reset Thermal Protector Overload

Note 25 Non-protected